



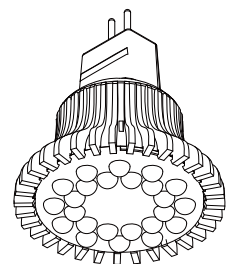
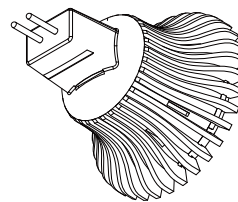
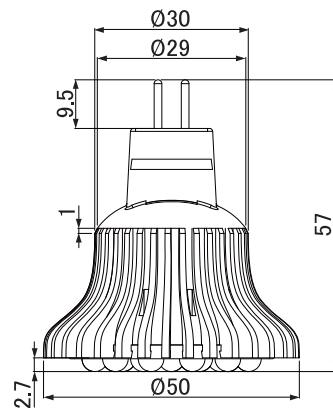
WORLD'S MOST EFFICIENT LED MR16

FAENA MR16 is designed to replace the Halogen MR16 globe currently available in markets worldwide. For just a fraction of the power usage, the innovative FAENA MR16 incorporates the same structure and style of traditional halogen MR16, but delivers a brighter performance with less heat radiation than before. The FAENA MR16 can be used for general everyday use and incorporates all the latest luminary technology garnered from Daehan's unique resources, combining years of experience in designing cooling systems.

- Can replace 50W halogen MR16 globe with 90% more energy efficiency
- Designed to fit existing types of GU5.3 lamp base
- Guaranteed lifetime up to 50,000hours with normal usage of 10hours a day
- No glare or strobe effect
- No dust absorption and yellowing

PHYSICAL

Height: 57mm
 Width : 50mm
 Weight : 38g



OPTICAL CHARACTERISTICS

| Model | Available Color | Power Consumption(W) | Luminous Flux (lm) | Color Temperature (Kelvin) | Viewing Angle $2\theta_{1/2}$ |
|-----------------------|-------------------|----------------------|--------------------|----------------------------|-------------------------------|
| FAENA MR16E-02 | Pure White | 2 | 120 | 5,500K | 45 |
| | Warm White | 2 | 110 | 3,000K | 45 |
| FAENA MR16E-05 | Pure White | 4.6 | 325 | 5,500K | 45 |
| | Warm White | 4.6 | 275 | 3,000K | 45 |

*CRI (Color Rendering Index) for white product types is 75 / *Spectral width at half of the peak intensity / *Luminous Flux measuring equipment is CAS140B / *Viewing angle is the off axis angle from lamp centerline where the luminous intensity is half of the peak value / *CCT 5% tester tolerance

*Dominant wavelength is derived from the CIE 1931 Chromaticity diagram and represents the perceived color

**ELECTRICAL
CHARACTERISTICS**

Operating input power : AC/DC 12V
Power Consumption : 2W/4.6W
Guaranteed Lifetime : 50,000 hours
Socket Type : GU5.3

THERMAL

Cooling : Ambient air
Maximum operating temperature : 50°C
Minimum operating temperature : -10°C
Maximum storage temperature : 60°C
Minimum storage temperature : -20 C

CONSTRUCTION

White LED Lamp : High power LED Lamp
Body : Aluminum extrusion heatsink with PC(Polycarbonate)

APPLICATIONS

Display case and Cabinet Lighting
Art Gallery and Museum Lighting
Landscape & Pathway Lighting
Accent Lighting
Recessed Lighting
Track Lighting

**50,000H
LIFETIME**

e 85%
Saving

IRfree

UVfree

TPS^{Thermal}
protection
system

Specifications subject to change without notice